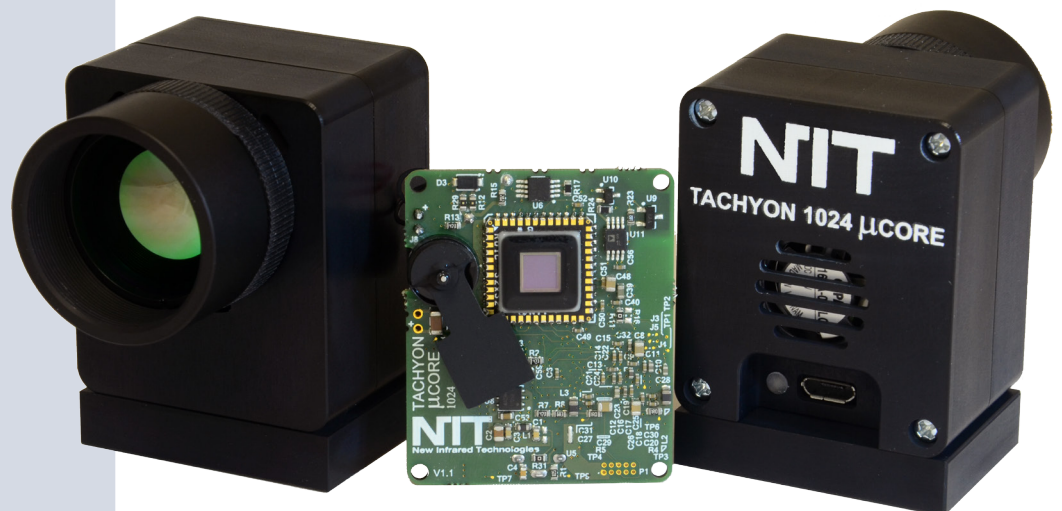
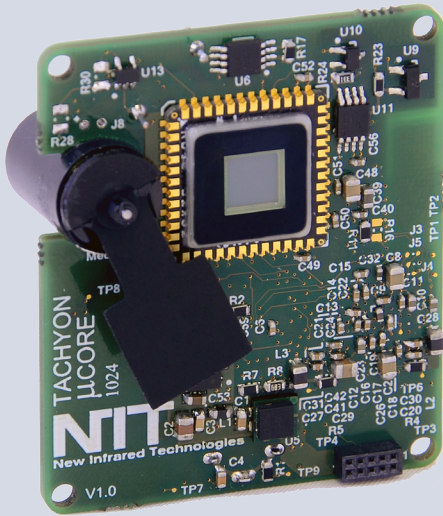


TACHYON 1024 microCORE

Uncooled MWIR module with USB connection and 1 kHz frame rate

Optimized size and affordable cost to ensure a perfect integration in the production process: priced for cost sensitive machine vision applications!

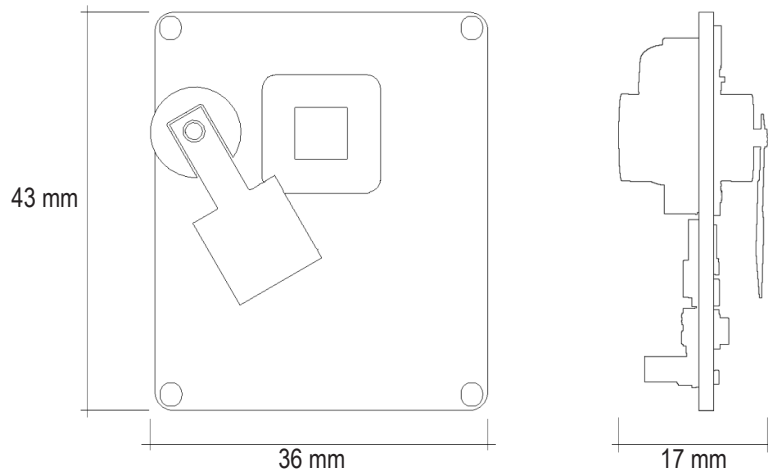
- ▶ Electronic module with control and communications interface for TACHYON 1024 FPA
- ▶ FPA included with the module
- ▶ Band of detection: MWIR (1 - 5 microns)
- ▶ Peak wavelength of detection: 3.7 microns
- ▶ FPA resolution: 32x32 (1024 pixels)
- ▶ Shutter incorporated in the module for 1-pt offset correction
- ▶ Integration time: selectable via software (100 – 500 us)
- ▶ Maximum frame rate: 1000 Hz (slower rates are possible using longer integration times)
- ▶ Biasing voltage: selectable (1.00 V to 2.00 V)
- ▶ Communication interface: USB 2.0, high-speed (up to 480 Mbps)
- ▶ Data transmission: raw data, 10 bits
- ▶ USB powered
- ▶ Integrated module temperature sensor
- ▶ Dimensions of the electronic module (in mm): 43 (L) x 36 (W) x 17 (H)
- ▶ Software included: NIT SOFTWARE SUITE (Acquisition and visualization SW)
- ▶ Minimum temperature of detection: 100 °C
- ▶ Metal housing with CS-mount optics interface available
- ▶ Housing dimensions, in mm: 46.5 (L) x 39.5 (W) x 29.5 (H)
- ▶ DLL for custom software development available
- ▶ Accessory optics with CS-mount interface available



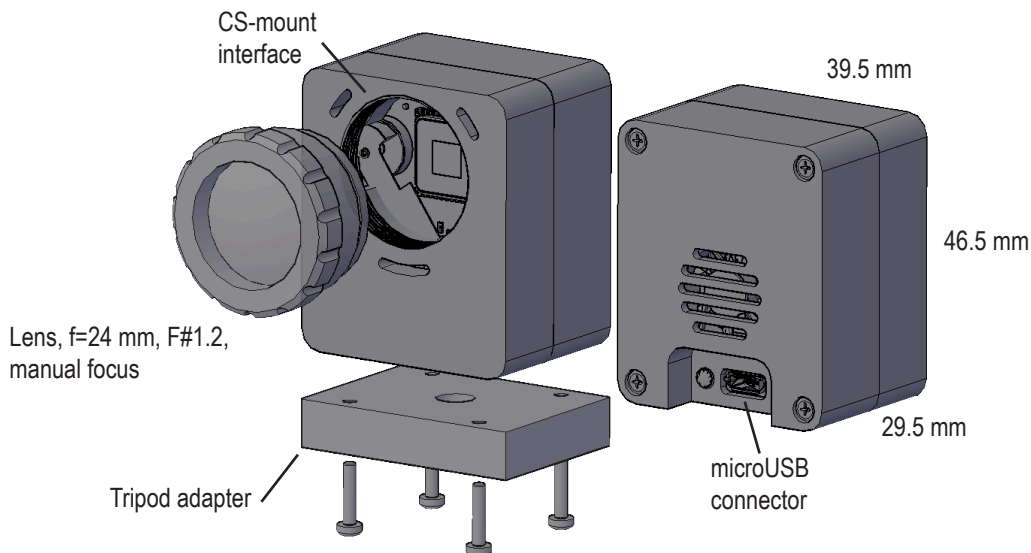
New Infrared Technologies
Calle Vidrieros 30, Nave 2
28660 Boadilla del Monte, Madrid
SPAIN
www.niteurope.com

NIT
New Infrared
Technologies

TACHYON 1024 microCORE module board



TACHYON 1024 microCORE with external housing and lens



Typical applications

- ▶ Industrial manufacturing process control (welding, cutting, etc.)
- ▶ Laser process monitoring
- ▶ Gas and flame detection
- ▶ Machine vision
- ▶ OEM integration

Industries of use

- ▶ Automotive industry
- ▶ Home appliance manufacturing
- ▶ Metallurgy and steel industry
- ▶ Petrochemical industry